

Rotorflush RF800AR Range Self-cleaning Filter

General Specifications

General Arrangements



Key Features

- Stainless steel filter mesh
- Filters from 1mm to 6mm
- Reliable and easy to install and use
- Works with most centrifugal and progressive cavity pumps
- 870 cubic metres per hour maximum flow
- Capital, installation and maintenance costs reduced
- All stainless steel construction
- Option for marine grade steel.

Rotorflush RF800AR Range Self-cleaning Filter

General Specifications

Models and Specifications *

Model	Maximum Flow Rate m ³ /hr (net of backwash)	Backwash Flow Rate m ³ /hr	Eel Regulations Flow rate (net of backwash) m ³ /hr @ 0.1 m sec*	Filter screen Area cm ²	Backwash Pressure
RF800-200AR	174	9	86.86	5,025	0.4 bar
RF800-300AR	261	13.5	130.29	7,540	0.4 bar
RF800-400AR	347	18	173.72	10,050	0.4 bar
RF800-500AR	434	22.5	217.15	12,565	0.4 bar
RF800-600AR	521	27	260.58	15,080	0.4 bar
RF800-700AR	608	31.5	304.01	17,590	0.4 bar
RF800-800AR	695	36	347.44	20,105	0.4 bar
RF800-900AR	782	40.5	390.87	22,615	0.4 bar
RF800-1000AR	870	45	434.3	25,130	0.4 bar

*flow rates based on 2 mm mesh intakes



RF800-400AR 1mm woven steel mesh

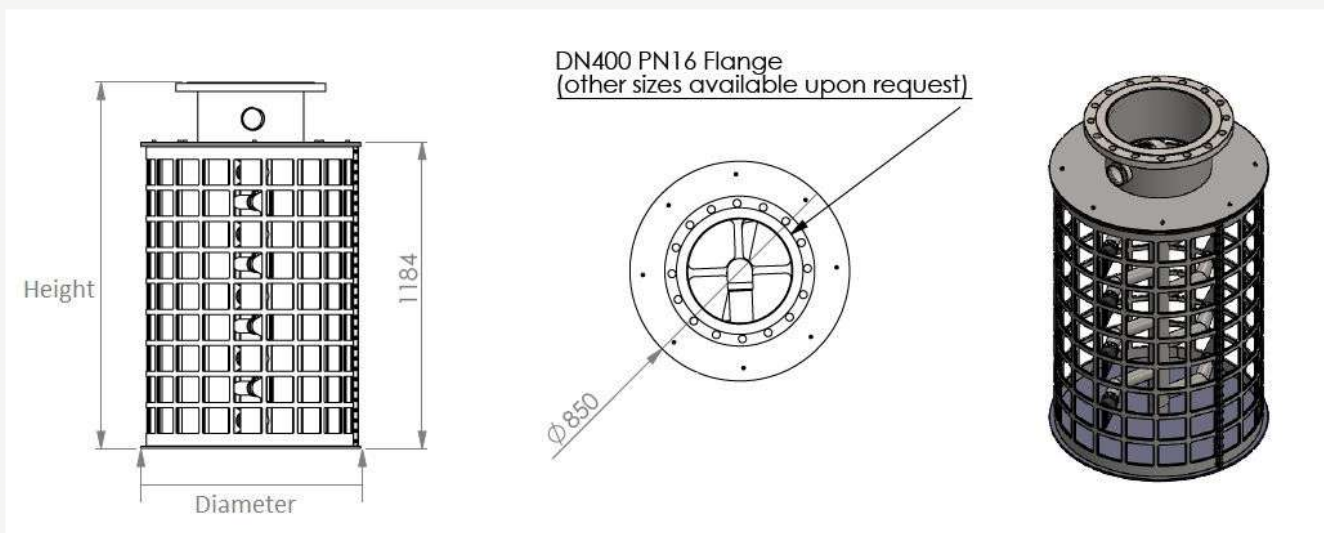
Rotorflush RF800AR Range Self-cleaning Filter

General Specifications

Dimensions and Weights

Model	H1 Total Height mm	H2 Mesh Height mm	D1 Total Diameter mm	D2 Mesh Diameter mm	Flange	Approx Weight (kg)
RF800-200AR	576	344	850	800	DN 400	220
RF800-300AR	696	464	850	800	DN 400	230
RF800-400AR	816	584	850	800	DN 400	240
RF800-500AR	936	704	850	800	DN 400	250
RF800-600AR	1056	824	850	800	DN 400	265
RF800-700AR	1,176	944	850	800	DN 400	275
RF800-800AR	1,296	1064	850	800	DN 400	285
RF800-900AR	1,416	1184	850	800	DN 400	300
RF800-1000AR	1,536	1,304	850	800	DN 400	310

Dimensions and weights are approximate
 All models are available with US NPT Fittings or different sizes flanges



Rotorflush RF800AR Range Self-cleaning Filter

General Specifications

Self-cleaning Filter Construction

Component	RF600AR All Models
Filter cage and lid	304 Stainless Steel
Central turbine	304 Stainless Steel
Jets	Natural Rubber
Bearings	Acetal copolymer
Outlet Flange	304 Stainless Steel

Note: 316 marine grade stainless steel is an option for all RF800AR filters and screens

